

TiLite Measurement Guide

Page Two

B Seat Depth

Measure from front of back post to the front edge of seat upholstery. Choose from 14" to 20" in 1" increments.

D Rear Seat Height

Measure from floor to top of seat tube at front of backpost. Choose from 1 3" to 21" in 1/2" increments.

E Seat To Footrest

Measure from front edge of seat sling to top rear of footrest. Choose from 12" to 19" in 1/2" increments.

F Seat Back Height

Measure from top of back post to top of seat tube at rear of frame. See Page Four for available sizes.

G Back Angle

Measure angle from front of back post to floor. Choose 80° to 101° in 1° increments. 90° will be perpendicular to the floor. To approximate the angle from the back post to the seat, subtract 2 degrees from measurement **G** for every .5" of dump.

H Center of Gravity

Measure from front of back post at the seat tube to the center of the rear axle. Choose from 1" to 6" in 1/4" increments.

L Rear To Front Of Footrest

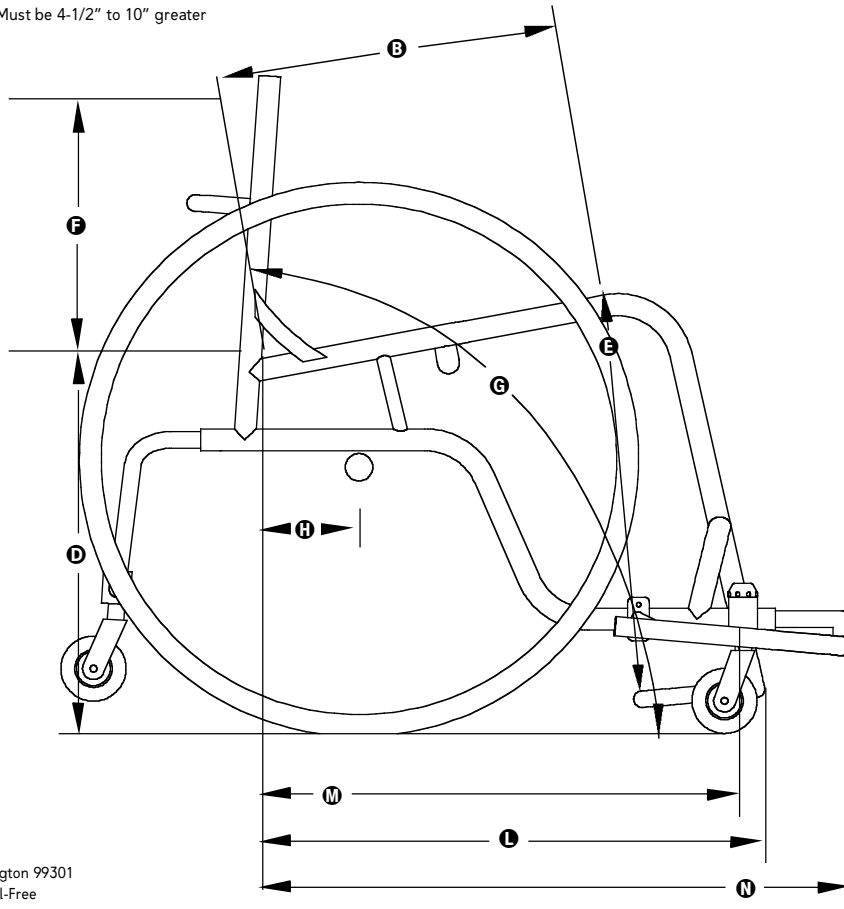
Measure from front of back post to front of footrest tube. Must be at least 2-1/2" shorter than dimension **N** - Rear To Front Of Wing.

M Rear To Front Caster

Measure from front of backrest to center of caster barrel. Choose 21", 22", 23", 24" or 25".

N Rear To Front Of Wing

Measure from front of backrest to front of wing tube. Must be 4-1/2" to 10" greater than dimension M - Rear To Front Caster.



2701 West Court Street, Pasco, Washington 99301
509.586.6117 Tel | 800.545.2266 Toll-Free
509.586.2413 Fax | 866.586.2413 Toll-Free Fax

Running low on order forms? Conveniently print them at www.tilite.com

Prices, standard features, options and accessories are subject to change without notice.

A Rear Seat Width

Measure from outside of seat tube at back post to the outside of the opposite seat tube at back post. Choose 12" to 20" in 1" increments.

C Front Seat Height

Measure from top of seat tube, at beginning of bend, to the floor. Choose 17" to 21" in 1/2" increments.

I Front Seat Width

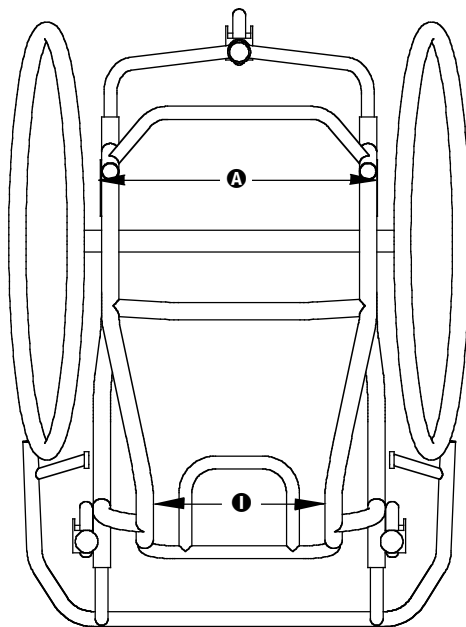
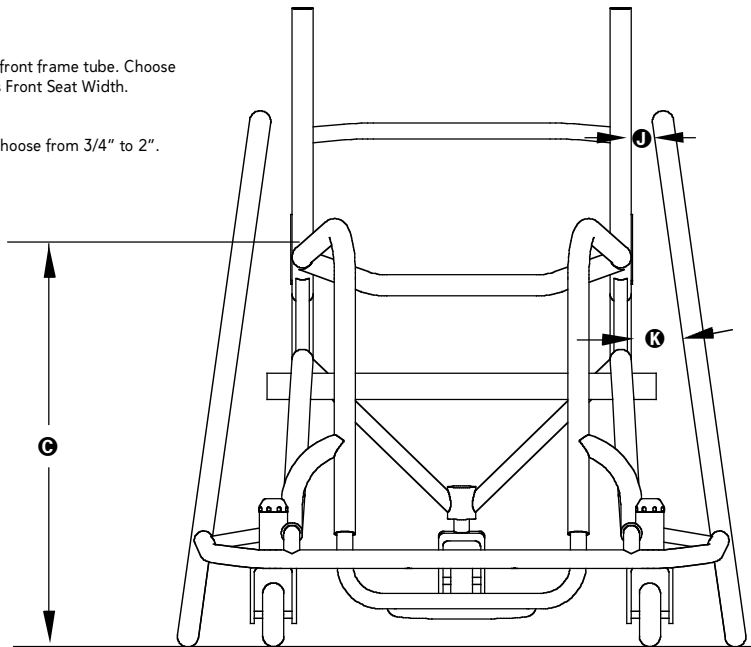
Measure from inside of front frame tube to inside of opposite front frame tube. Choose 9" to 16" in 1" increments. Footrest Width will be the same as Front Seat Width.

J Rear Wheel Spacing

Measure from outside of back post to inside top of rear tire. Choose from 3/4" to 2".

K Camber

Choose 0°, 2°, 4°, 6°, 8°, 12°, 15° or 18°.



2701 West Court Street, Pasco, Washington 99301
509.586.6117 Tel | 800.545.2266 Toll-Free
509.586.2413 Fax | 866.586.2413 Toll-Free Fax

Running low on order forms? Conveniently print them at www.tilite.com

Prices, standard features, options and accessories are subject to change without notice.



Dealer Information: [Please Complete Dealer Info On All Faxed Pages]				Ship To:		
Dealer Name:		Ordered By:		Name:		
Address:				Address:		
City:		State:	Zip Code:	City:		State:
Phone Number:		Fax Number:		Phone Number:		Fax Number:

Order Information

Account Number:

PO Number:

Customer Name:

Shipping Method:

TiLite Information

Order Date:

Ship Date:

Order Number:

- A Rear Seat Width (Outside Measurement)**
 - 12" 13" 14" 15" 16"
 - 17" 18" 19" 20"
- B Seat Depth**
 - 14" 15" 16" 17" 18" 19" 20"
- C Front Seat Height**
 - 17" 17-1/2" 18" 18-1/2"
 - 19" 19-1/2" 20" 20-1/2" 21"
- D Rear Seat Height**
 - 13" 13-1/2" 14" 14-1/2"
 - 15" 15-1/2" 16" 16-1/2"
 - 17" 17-1/2" 18" 18-1/2"
 - 19" 19-1/2" 20" 20-1/2"
 - 21"
- E Seat To Footrest (Must be 2" shorter than Front Seat Height)**
 - 12" 12-1/2" 13" 13-1/2"
 - 14" 14-1/2" 15" 15-1/2"
 - 16" 16-1/2" 17" 17-1/2"
 - 18" 18-1/2" 19"
- F Non-Folding Seat Back Height**
 - 5" 5-1/2" 6" 6-1/2"
 - 7" 7-1/2" 8" 8-1/2"
 - 9" 9-1/2" 10" 10-1/2"
 - 11" 11-1/2" 12" 12-1/2"
 - 13" 13-1/2" 14" 14-1/2"
 - 15" 15-1/2" 16" 16-1/2"
 - 17" 17-1/2" 18" 18-1/2"
 - 19" 19-1/2" 20"
- Non-Folding, Adjustable Seat Back Height**
 - 8"-12" 12"-16" 16"-20"

Seat At: _____ (Use 1/2" increments)

- G Back Angle**
 - 80° 81° 82° 83° 84° 85°
 - 86° 87° 88° 89° 90° 91°
 - 92° 93° 94° 95° 96° 97°
 - 98° 99° 100° 101°
- H Cener of Gravity**
 - 1" 1-1/4" 1-1/2" 1-3/4"
 - 2" 2-1/4" 2-1/2" 2-3/4"
 - 3" 3-1/4" 3-1/2" 3-3/4"
 - 4" 4-1/4" 4-1/2" 4-3/4"
 - 5" 5-1/4" 5-1/2" 5-3/4"
 - 6"
- I Front Seat Width (Inside measurement)**
 - 9" 10" 11" 12"
 - 13" 14" 15" 16"
- J Rear Wheel Spacing**
 - 3/4" 1" 1-1/4"
 - 1-1/2" 1-3/4" 2"
- K Camber**
 - 0° 2° 4° 6°
 - 8° 12° 15° 18°
- L Rear To Front of Footrest**
 - 23" 23-1/2" 24" 24-1/2"
 - 25" 25-1/2" 26" 26-1/2"
 - 27" 27-1/2" 28" 28-1/2"
 - 29" 29-1/2" 30" 30-1/2"
 - 31" 31-1/2" 32" 32-1/2"
- M Rear To Front Caster**
 - 21" 22" 23"
 - 24" 25" 26"
- N Rear To Front of Wing**
 - 25-1/2" 26" 26-1/2" 27"
 - 27-1/2" 28" 28-1/2" 29"
 - 29-1/2" 30" 30-1/2" 31"
 - 31-1/2" 32" 32-1/2" 33"
 - 33-1/2" 34" 34-1/2" 35"
 - 35-1/2" 36"



2701 West Court Street, Pasco, Washington 99301
 509.586.6117 Tel | 800.545.2266 Toll-Free
 509.586.2413 Fax | 866.586.2413 Toll-Free Fax
 Running low on order forms? Conveniently print them at www.tilite.com
 Prices, standard features, options and accessories are subject to change without notice.