



The average annual per capita paper use in the USA in 2001 was 700 pounds. The average annual per capita paper use in the rest of the world was 110 pounds. This is equal to approximately 28 print outs per day every day. Excessive use of paper wastes landfill space, water, chemicals and the energy resources required to recycle the paper. Join TiLite in its efforts to reduce paper use by filling out this order form online and sending it via email. To learn more [click here](#) or visit: tilite.com/thinkgreen.php.

The TiLite® ZRA Series 2 Order Form is a digital order form and may be filled out on your computer using Adobe® Acrobat® or Adobe® Reader®. For your convenience the order form may then be saved and emailed directly to TiLite's Customer Service Team. Adobe® Acrobat® is recommended in order to take full advantage of the functions on this order form.

To save the completed Order Form to your desktop using Adobe® Reader®: (1) Fill out the order form completely (you will not be able to make changes once the order form is saved using this program). (2) Go to File and select Print; (3) Select Adobe PDF from your list of printers; (4) Select Print again; (5) Select the destination where you would like the file saved; and (6) Select Save. The "Quote This Chair" or "Order This Chair" function on page 7 will not work with Adobe® Reader®.

[Click here](#) to download for free Adobe® Reader® or to purchase Adobe® Acrobat®.

TiLite ZRA Series 2 Order Form

Effective July 1, 2011 (New Items in Red)

TITANIUM RIGID FRAME

Page 1 of 10

DEALER INFORMATION		RTS INFORMATION	
Dealer:		RTS:	Phone:
Account:	PO:	Email:	
Ordered By:		SHIP TO INFORMATION	
Address:		Name:	Ship Via:
City:	State:	Zip:	
Phone:	Fax:	City:	State:
Email:		Phone:	Fax:
		TiLite Information	
Mark For:		Ship Date:	Order #:

Please Fax to the TiLite Customer Service Team at 866.586.2413 or 509.586.2413



FRAME STYLE

Z2FS2 **TiLite ZRA** (Full Adjustability.) (265 Pound Weight Limit. For Rear Seat Width **A** and Seat Depth **B** of 15" or greater, use K0009. For Rear Seat Width **A** and Seat Depth **B** of less than 15", use E1229. Weight Limit is restricted to 150 pounds on chairs with Rear Seat Width **A** and Seat Depth **B** from 10"x10" to 12"x12".).....

**\$2,795 K0009
E1229**

TiLite Special Editions If selecting one of the TiLite Special Editions you must still fill out the entire order form. Edition options will override inconsistent selections. Options cannot be added or deleted.

Z2P1 SuperLite Edition

Z2FTR1 Titanium Footrest w/Flat ABS Cover.....**\$150**
 Z2SB2 Folding Titanium Backrest.....**\$175**
 Z2SB7 Carbon Fiber TiShaft™ Back Release Bar.....**\$65**
 Z2CBR6 Carbon Fiber Camber Tube (Not available with a Power Adaptable Frame. When a Power Adaptable Frame is selected, a Aluminum Camber Tube will be used.).....**\$175**
 Z2FK2 TiLite Slipstream Single-Sided Fork.....**\$150**
 Z2TS1 Titanium Fork Stems.....**\$50**

Retail: \$765

SuperLite Edition Price: \$650

Z2P2 Active Edition

Z2FTR1 Titanium Footrest w/Flat ABS Cover.....**\$150**
 Z2CBR3 Titanium Camber Tube.....**\$50**

Carbon Fiber Side Guards

Z2SDG9 Fold Down Rigid.....**\$400**

OR

Z2SDG12 Fendered Removable.....**\$375**

Retail: \$575 - \$600

Active Edition Price: \$490



THE ULTIMATE RIDE.®

tilite.com
 2701 West Court Street | Pasco, Washington 99301
 509.586.6117 Tel | 800.545.2266 Toll-Free
 509.586.2413 Fax | 866.586.2413 Toll-Free Fax

THE TITANIUM EXPERTS.®

TiLite ZRA Series 2 Order Form

Effective July 1, 2011 (New Items in Red)

TITANIUM RIGID FRAME

Page 2 of 10

FRAME STYLE

Z2P3 **Rugged Edition** (Requires 14.5" minimum Rear Seat Height **D**.)

Z2CBR3 Titanium Camber Tube.....	\$50
Z2RW3 Spinergy SPOX Rear Wheels	\$695
Z2RTR5 24", 25" or 26" Kenda® High Pressure (110 psi).....	\$85

AND

Z2RW2 TiLite Rear Wheels w/High Flange Hub	\$225
Z2RTR6 <input type="checkbox"/> 24" Grey Knobby OR Z2RTR7 <input type="checkbox"/> 26" Black Knobby.....	\$95
Z2AXL4 Additional Set of Stainless Quick Release Axles	\$65

Retail: \$1,215

Rugged Edition Price: \$999

Z2P4 **Armed Forces Edition** (Armed Forces Edition can be ordered in combination with any of the other Frame Styles. Neoprene

Impact Guards will match Digital Camo when ordered.).....**\$140**

- Z2AF1 Army (Subdued Green painted frame with ACU digital upholstery.)
- Z2AF2 Navy (Subdued Dark Blue painted frame with NWU digital upholstery.)
- Z2AF3 Air Force (Subdued Green painted frame with New ABU digital upholstery.)
- Z2AF4 Marines (Subdued Tan painted frame with MARPAT - Desert digital upholstery.)
- Z2AFP1 4" Logo Patch **OR** Z2AFP2 Name Tape Patch
- Z2AFP3 Combat Wounded Purple Heart Patch

Z2HDR1 **Heavy Duty Edition** (300 Pound Weight Limit. No charge when 20" Rear Seat Width **A** and 20" Seat Depth **B** are selected.

Includes Tension Adjustable by Straps Back Upholstery. Requires Angle Adjustable Footrest, Folding Aluminum Adjustable Height Backrest, Billet Aluminum Front Wheels, TiLite Wheel w/High Flange Hub or Spinergy Spox or LX Rear Wheels. Not available w/ SuperLite or Active Edition, Carbon Fiber Camber Tube, Slipstream Fork, Velcro Adjustable Upholstery, Swing Away Tubular or Swing Away Flip Back Tubular.).....**\$400**

Z2PWR1 **Power Adaptable Frame** (No charge when 20" Rear Seat Width **A** and 20" Seat Depth **B** are selected. Requires Billet Aluminum

Front Wheels and 0° Camber **F**. Not available with Carbon Fiber Camber Tube. Camber tube available in silver anodize only.).....**\$300**

Z2RFR1 **Reinforced Frame** (No charge when 20" Rear Seat Width **A** and 20" Seat Depth **B** are selected.)**\$300**

TRANSIT TIE-DOWN OPTION

Z2TTDO Transit Tie-Down Option – Consists of four factory-installed Transit Tie-Down Brackets and Reinforced Frame.

Occupied Transit Use. (165-Pound Weight Limit. Not available in Heavy Duty Edition.)**\$300**

THIS SECTION MUST BE READ

The TiLite ZRA Series 2 with Transit Tie-Down Option (Z2TTDO) was crash-tested in accordance with ISO 7176-19 Frontal Impact Test requirements for wheelchairs with 130-lb (59 kg) crash dummy, which corresponds to a person with a weight of 125-165 pounds (57-75 kg), utilizing vehicle-anchored pelvic and shoulder belts. The crash-tested chair was configured as follows: 16" Seat Width, 16" Seat Depth, 70° Front Angle, 10" Titanium Footrest with ABS Cover, 17.5" – 20.5" Folding Aluminum Adjustable Height Backrest set at 20.5" and 98°, Tension-Adjustable by Straps Back Upholstery, Bolt-On Seat Sling Upholstery and no armrests. While the Transit Tie-Down Option is compatible with, and can be purchased with, additional seat sizes, optional components, and varied configurations, and provides designated securement points, TiLite makes no claim that any other components or configuration have been tested beyond the above-described ISO 7176-19-conforming configuration. Please refer to the TiLite Transit Tie-Down Option Owner's Manual Supplement for additional information and warnings.

The U.S. Department of Transportation has not approved any tie-down system for transportation of a user while in a wheelchair in a moving vehicle of any type. It is TiLite's position that users of wheelchairs should be transferred into appropriate seating in motor vehicles and use the restraints made available by the auto industry. TiLite does not claim that its Transit Tie-Down Option will prevent injury or death in the event of a motor vehicle accident.

FRAME FINISHES

Natural Titanium

- Z2FF1 Satin**STD**
- Z2SCBT1 Satin Finish Buffing Pads.....**\$15**
- Z2FF2 Polished**\$650**
- Z2FF3 Tattooed Titanium™ (Tattoos on front frame tubes. Frame finished in Satin. Click on the images below to view the Tattoos online.)**\$250**

Z2FF4 Rock & Roll



Z2FF5 Retro



Z2FF6 Mother Nature



Z2FF7 Henna



TiLite ZRA Series 2 Order Form

Effective July 1, 2011 (New Items in Red)

TITANIUM RIGID FRAME

Page 3 of 10

FRAME FINISHES

High Gloss Paint

Z2FF8 Super Wet Black
Z2FF11 Military Green

Z2FF9 Sunburst Yellow
Z2FF12 Orange Crush

ZRFF10 TiLite Red
Z2FF13 Hot Pink**STD**

Metallic Paint

Z2FF14 Ocean Blue Metallic

Z2FF15 Tangerine Metallic

Z2FF16 Salsa Red Metallic.....**STD**

Pearlescent Paint

ZRFF17 Midnight Blue Pearl

ZRFF18 White Pearl**STD**

Matte Paint

Z2FF19 Black Lava

Z2FF20 Deep Blue Ice

Z2FF21 Scarlet Ice.....**STD**

Candy Paint

Z2FF22 Ruby Red
Z2FF25 Electric Plum

Z2FF23 Azure Blue
Z2FF26 Atomic Green

Z2FF24 Root Beer Candy
.....**STD**

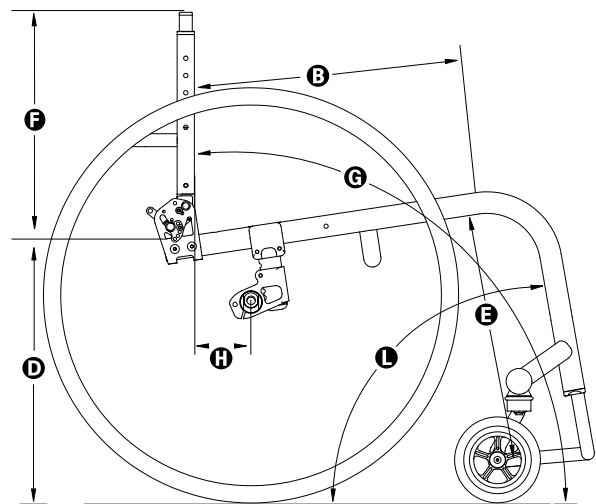
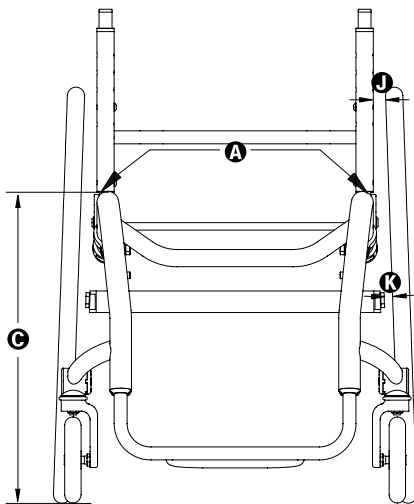
COLOR ANODIZE PACKAGE

(Color Anodize Package includes: Aluminum Camber Tube, Camber Mount, Footrest Clamp, Caster Mount, Caster Fork, and Caster Cap. If no anodize color is selected, the default will be black.)

Z2ANO1 Black**STD**

Z2ANO5 Sapphire Z2ANO3 Red Pepper Z2ANO6 Burnt Orange Z2ANO7 Sub-Lime Z2ANO8 Ultraviolet **\$125**

FRAME MEASUREMENTS



REAR SEAT WIDTH A Measure from outside of seat tube at back post to the outside of the opposite seat tube at back post.

Z2SW4 10" 11" 12" 13" 14" 15" 16" 17" 18" 19".....**STD**

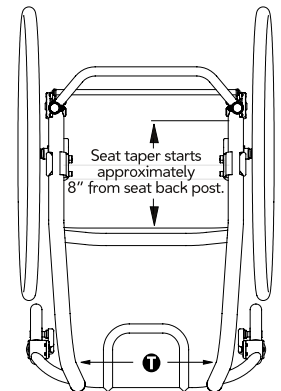
Z2SW2 20"**\$300 E2201**

FRONT SEAT WIDTH (SEAT TAPER) I Measure from inside of front frame tube to inside of opposite front frame tube.

Z2FSW1 No Taper.....**STD**

Z2FSW3 1.5" Taper (4" Narrower than Rear Seat Width. Includes Tension Adjustable by Straps Seat Upholstery. Not available with 10" and 11" Seat Widths A.).....**\$250**

Z2FSW5 2.5" Taper (5" Narrower than Rear Seat Width. Includes Tension Adjustable by Straps Seat Upholstery. Not available with 10" to 14" Seat Widths A.).....**\$250**



TiLite ZRA Series 2 Order Form

FRAME MEASUREMENTS

SEAT DEPTH ⑥ Measure from front of back post to the front edge of seat sling. Front edge of seat sling will be at the beginning of the bend at front of chair frame, unless Frog Legs® or 90° Front Angle is ordered, in which case front edge of seat sling begins approximately 1" behind the bend.

- Z2SD1 10" 11" 12" 13" 14" 15" 16" 17" 18" 19"..... **STD**
 Z2SD2 20"..... **\$300 E2203**
 Z2SD3 Frame Depth Longer or Shorter Than Seat Depth (A Custom Frame Depth of 20" is \$450 if Seat Depth ⑥ of 20" is not also selected.)..... **\$150**
 Custom Frame Depth: _____"

FRONT SEAT HEIGHT ⑦ Measure from floor to top of seat tube at beginning of bend. ZRA adjusts up and down in 1/2" increments.

- Z2FSH1 16" 16.5" 17" 17.5" 18" 18.5" 19" 19.5" 20" 20.5" 21"..... **STD**

REAR SEAT HEIGHT ⑧ Measure from floor to top of seat tube at back post. ZRA adjusts up and down in 1/2" increments.

REAR SEAT HEIGHT RANGES

Rear Wheel Size	ZRA Rear Seat Heights ⑧
20"	12.5" - 18.5"
22"	14.0" - 19"
24"	14.5" - 20"
25"	14.5" - 20"
26"	15.5" - 20"

- Z2RSH1 12.5" 13" 13.5" 14"
 14.5" 15" 15.5" 16"
 16.5" 17" 17.5" 18"
 18.5" 19" 19.5" 20"..... **STD**

FRONT ANGLE ⑨ Measure from frame front to floor.

- Z2FA1 70° 75° 80° 85° (85° Not available with 6" Front Wheels.) 90° (90° Not available with 5" or 6" Front Wheels.)..... **STD**

SEAT TO FOOTREST ⑩/FOOTRESTS Measure from front edge of seat sling to top rear of footrest. **Measurement must be at least 2" shorter than Front Seat Height ⑦.**

STANDARD FOOTRESTS

- 13.5" 14" 14.5" 15" 15.5" 16" 16.5" 17" 17.5" 18" 18.5" 19"
 Z2FTR3 Angle Adjustable Footrest **STD K0040**
 Z2FTR1 Titanium Footrest w/Flat ABS Cover (Not available w/ Heavy Duty Edition.)..... **\$150**
 Z2FTR2 Titanium Open Loop Footrest (Not available w/ Heavy Duty Edition.)..... **\$200**
 Z2FTR12 Titanium Flip-Back Footrest (Footrest has 1" of adjustment up and down from height selected. Not available w/ 10" or 11" Rear Seat Width ⑪, Heavy Duty Edition or ABS Cover w/ 2" Sides.)..... **\$150**

HIGH MOUNT FOOTREST

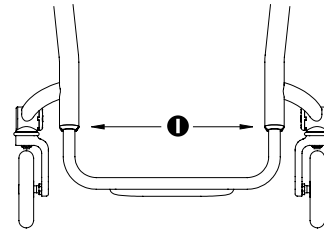
- 7"-9" 9"-11" 11"-13 Set at: _____ (Use 1/2" increments)
 Z2FTR4 Angle Adjustable High Mount Footrest..... **\$85 K0040**
 Z2FTR14 **ABS Cover w/2" Sides** (Not available with Flip-Back Footrest or chairs with 10" or 11" Rear Seat Width ⑪.)..... **\$95 K0041**

FRAME MEASUREMENTS

FOOTREST WIDTH ❶ or ❷ Select either a Standard Front End if no Seat Taper ❶ is selected on page 3 or a V-Front End if a Seat Taper ❶ is selected on page 3. **STD**

STANDARD FRONT END ❶ Z2FE1 Find your Rear Seat Width ❸ in the chart below and select one of the options to the right. Measure from inside of front frame tube to inside of opposite front frame tube.

REAR SEAT WIDTH ❸ (Outside Measurement)	FOOTREST WIDTH ❶		
	No Taper (2.5" Narrower than Rear Seat Width)	1.5" Taper (4" Narrower than Rear Seat Width)	3.5" Taper (6" Narrower than Rear Seat Width)
10"	<input type="checkbox"/> 7.5"		
11"	<input type="checkbox"/> 8.5"		
12"	<input type="checkbox"/> 9.5"	<input type="checkbox"/> 8"	
13"	<input type="checkbox"/> 10.5"	<input type="checkbox"/> 9"	
14"	<input type="checkbox"/> 11.5"	<input type="checkbox"/> 10"	
15"	<input type="checkbox"/> 12.5"	<input type="checkbox"/> 11"	<input type="checkbox"/> 9"
16"	<input type="checkbox"/> 13.5"	<input type="checkbox"/> 12"	<input type="checkbox"/> 10"
17"	<input type="checkbox"/> 14.5"	<input type="checkbox"/> 13"	<input type="checkbox"/> 11"
18"	<input type="checkbox"/> 15.5"	<input type="checkbox"/> 14"	<input type="checkbox"/> 12"
19"	<input type="checkbox"/> 16.5"	<input type="checkbox"/> 15"	<input type="checkbox"/> 13"
20"	<input type="checkbox"/> 17.5"	<input type="checkbox"/> 16"	<input type="checkbox"/> 14"



OR

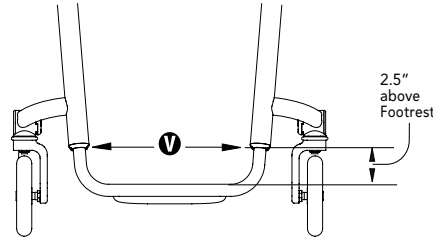
V-FRONT END ❷ Measure from inside of front frame tube to inside of opposite front frame tube 2-1/2" above footrest.
(Titanium Flip-Back Footrest has 1" of adjustment up and down.)

NO V-Front Taper *(Required when both Heavy Duty Edition and Seat Taper ❶ are selected.)*

OR

FOOTREST WIDTH ❷

- | | | | | | |
|------------------------------|--------------------------------|------------------------------|--------------------------------|------------------------------|--------------------------------|
| <input type="checkbox"/> 7" | <input type="checkbox"/> 7.5" | <input type="checkbox"/> 8" | <input type="checkbox"/> 8.5" | <input type="checkbox"/> 9" | <input type="checkbox"/> 9.5" |
| <input type="checkbox"/> 10" | <input type="checkbox"/> 10.5" | <input type="checkbox"/> 11" | <input type="checkbox"/> 11.5" | <input type="checkbox"/> 12" | <input type="checkbox"/> 12.5" |
| <input type="checkbox"/> 13" | <input type="checkbox"/> 13.5" | <input type="checkbox"/> 14" | <input type="checkbox"/> 14.5" | <input type="checkbox"/> 15" | <input type="checkbox"/> 15.5" |
| <input type="checkbox"/> 16" | <input type="checkbox"/> 16.5" | <input type="checkbox"/> 17" | <input type="checkbox"/> 17.5" | <input type="checkbox"/> 18" | |



SEAT BACK TYPE/PUSH HANDLES/SEAT BACK HEIGHT ❸ Measure from top of back post to top of seat tube at rear of frame.

SEAT BACK TYPE

- Z2SB1 Folding Aluminum Adjustable Height *(Required for Heavy Duty Edition.)*..... **NCO**
- Z2SB2 Folding Titanium Adjustable Height *(Titanium back will match Frame Finish. Not available with Bolt-On Push Handles.)*..... **\$175**
- Z2SB11 Seat Back that Locks when Folded..... **NCO**

TISHAFT™ BACK RELEASE BARS

- Z2SB3 Aluminum **STD**
- Z2SB4 Titanium..... **\$35**
- Z2SB5 Carbon Fiber..... **\$65**

PUSH HANDLES

- Z2SB6 Integrated Push Handles..... **NCO**
- Z2SB7 Integrated Fold-Down Push Handles *(Requires Tension Adjustable by Straps Back Upholstery.)*..... **\$100**
- Z2SB8 Bolt-On Push Handles *(Includes 4" Deep Backrest Rigidizer Bar. Not available with Ti Back.)*..... **\$175**
- Z2SB9 Bolt-On Height-Adjustable Push Handles *(Includes 4" Deep Backrest Rigidizer Bar. Not available with Ti Back. Limited range with Depth Adjustable Back.)*..... **\$295**

SEAT BACK HEIGHT ❸

Push Handles	Short	Medium	Tall	Set at: <i>(Use 1/2" increments)</i>
None	<input type="checkbox"/> 8.5" - 11.5"	<input type="checkbox"/> 12" - 16.5"	<input type="checkbox"/> 16.5" - 20.5"	Set at: _____
Integrated	<input type="checkbox"/> 10.5" - 12.5"	<input type="checkbox"/> 13.5" - 16.5"	<input type="checkbox"/> 17.5" - 20.5"	Set at: _____
Integrated Fold-Down	<input type="checkbox"/> 13" - 15.5"	<input type="checkbox"/> 14.5" - 19"	<input type="checkbox"/> 18.5" - 21"	Set at: _____

TiLite ZRA Series 2 Order Form

FRAME MEASUREMENTS

AVAILABLE ON ALL BACKS

- Z2SB12 4" Deep Backrest Rigidizer Bar (Required for Heavy Duty Edition.).....**NCO**
- Z2SB16 Depth Adjustable Back/Frame (Seat Depths **ⓐ** of 10"-18" allow 2" of rearward adjustment. Height Adjustable Push Handles have a limited Height range with Depth Adjustable Back. Not Available with 19" or 20" Seat Depths **ⓐ**, Heavy Duty Edition, Tension Adjustable by Straps Seat Upholstery, Carbon Fiber Side Guards or Desk Arms.).....**\$185**
- Z2SB13 Custom Height Backrest Rigidizer Bar (The Standard Rigidizer Bar height is 5" above the Seat Sling for a short, 6-1/4" for a medium and 10-1/4" for a tall. Custom Height Rigidizer Bar must be at least 4-1/2" above Seat Sling or 5-3/4" above Seat Sling when used with 11" - 14" Swing Away Tubular Armrests. Maximum Height is 3" less than Lowest Seat Back Height.).....**\$150**
- Set at: _____ (Use 1/4" increments)

SEAT BACK ANGLE **ⓐ** Measure angle from front of back post to floor. 90° will be perpendicular to the floor. To approximate the angle from the back post to the seat, subtract 2 degrees from measurement **ⓐ** for every 1/2" of dump.

- Z2SBA1 80° 83° 86° 89° 92° 95° 98° 101°.....**NCO**

CENTER OF GRAVITY **ⓑ** Measure from front of back post at the seat tube to the center of the rear axle. If no center of gravity is selected, chair will ship with the center of gravity in the rearward-most position.

- Z2COG1 0" .25" .5" .75" 1" 1.25" 1.5" 1.75" 2" 2.25" 2.5" 2.75" 3" 3.25" 3.5" 3.75" 4" 4.25" 4.5" 4.75" 5" 5.25" 5.5" 5.75" 6".....**STD**

REAR WHEEL SPACING **ⓑ** Measure from outside of seat back post to inside of rear tire. 3/4" Rear Wheel Spacing not available with 0° or 2° Camber **ⓑ**.

- Z2RWS1 .75" 1" 1.25" 1.5" 1.75" 2".....**STD**

CAMBER **ⓑ**/CAMBER TUBES

- Z2CBR1 0° 2° 4° 6° 8° 12°.....**STD**
- Z2CBR2 15° 18°.....**\$75**
- Z2CBR3 Titanium Camber Tube (Not available with a Power Adaptable Frame.).....**\$50**
- Z2CBR6 Carbon Fiber Camber Tube (Not available with Power Adaptable Frame or Heavy Duty Edition.).....**\$175**
- Z2CBR5 Additional Aluminum Camber Tube 0° 2° 4° 6° 8° 12° 15° 18°.....**\$100**
- Z2CBR4 Additional Titanium Camber Tube 0° 2° 4° 6° 8° 12° 15° 18°.....**\$100**
- Z2CBR7 Additional Carbon Fiber Camber Tube 0° 2° 4° 6° 8° 12° 15° 18°.....**\$225**
- Additional Spacers to Increase Rear Wheel Spacing.....**NCO**

CHAIR OPTIONS

FRONT WHEELS

- Z2FW1 3"x.75" Micro-Caster (Not available with Slipstream Fork or Heavy Duty Edition.).....**STD**
- Z2FW2 3"x.75" Light-Up Micro-Caster (Not available with Slipstream Fork or Heavy Duty Edition.).....**\$65**
- Z2FW14 4"x.75" Plastic Wheel w/Poly Tire (Not available with Slipstream Fork or Heavy Duty Edition.).....**NCO**
- Z2FW3 4"x.75" Light-Up Micro-Caster (Not available with Slipstream Fork or Heavy Duty Edition.).....**\$65**
- Z2FW19 4"x.75" Performance 5 Spoke Billet Aluminum Wheel w/Poly Tire Silver Hub Black Hub.....**\$125**
- Z2FW20 4"x1" Performance 5 Spoke 2-Piece Billet Aluminum Wheel w/Soft Roll Tire Silver Hub Black Hub.....**\$165**
- Z2FW15 4"x1.5" Plastic Wheel w/Poly Tire (Not available w/ Heavy Duty Edition.).....**\$80**
- Z2FW6 5"x1" Plastic Wheel w/Poly Tire (Not available with 90° Front Angle **ⓑ**, Slipstream Fork or Heavy Duty Edition.).....**NCO**
- Z2FW21 5"x1" Performance 5 Spoke Billet Aluminum Wheel w/Poly Tire Silver Hub Black Hub (Not available with 90° Front Angle **ⓑ**).....**\$145**
- Z2FW22 5"x1" Performance 5 Spoke 2-Piece Billet Aluminum Wheel w/Soft Roll Tire Silver Hub Black Hub (Not available with 90° Front Angle **ⓑ**).....**\$185**
- Z2FW18 5"x1.5" Plastic Wheel w/Poly Tire (Not available with 90° Front Angle **ⓑ** or Heavy Duty Edition.).....**\$80**
- Z2FW9 6"x1" Plastic Wheel w/Poly Tire (Not available with 85° or 90° Front Angle **ⓑ**, Slipstream Fork or Heavy Duty Edition.).....**NCO**
- Z2FW11 6"x1" Billet Aluminum Wheel w/Poly Tire Silver Hub Black Hub (Not available with 85° or 90° Front Angle **ⓑ**, Slipstream Fork or Heavy Duty Edition.).....**\$165**
- Z2FW10 6"x1.25" Plastic Wheel w/Pneumatic Tire (Not available with 85° or 90° Front Angle **ⓑ**, Slipstream Fork or Heavy Duty Edition.).....**\$65**
- Z2FW12 6"x1.25" Billet Aluminum Wheel w/Pneumatic Tire Silver Hub Black Hub (Not available with 85° or 90° Front Angle **ⓑ** or with Slipstream Fork.).....**\$165**
- Z2FW13 6"x1.25" 2-Piece Billet Aluminum Wheel w/Soft Roll Tire (Not available with 85° or 90° Front Angle **ⓑ** or with Slipstream Fork.).....**\$195**
- Z2FW0 Omit Front Wheels (Must Choose Wheel Size Above).....**\$20**

TiLite ZRA Series 2 Order Form

Effective July 1, 2011 (New Items in Red)

TITANIUM RIGID FRAME

Page 7 of 10

CHAIR OPTIONS

FRONT FORKS

Z2FK1	<input type="checkbox"/>	TiLite Standard Fork.....	STD
Z2FK2	<input type="checkbox"/>	TiLite Slipstream Single-Sided Fork (Not available w/ Heavy Duty Edition.).....	\$150
Z2FRG1	<input type="checkbox"/>	Frog Legs® Suspension Forks (Available in Black anodize only.).....	\$395 E1015
Z2TS1	<input type="checkbox"/>	Titanium Fork Stems (Not available with Frog Legs®.)	\$50

REAR WHEELS See Rear Seat Height Ranges chart on Page 3 for Rear Seat Height ⓐ limitations.

Z2RW3	Spinergy WIRE Wheel w/Low Flange Hub (Not available with Titanium Quick Release Axles or Heavy Duty Edition.).....		STD
	<input type="checkbox"/>	20"(451)	
	<input type="checkbox"/>	22"(501)	
	<input type="checkbox"/>	24"(540)	
	<input type="checkbox"/>	25"(559) (Requires 15" minimum Seat Depth ⓑ.)	
	<input type="checkbox"/>	26"(590) (Requires 15" minimum Seat Depth ⓑ.)	
Z2RW5	TiLite Wheel w/High Flange Hub (Not available with Titanium Quick Release Axles.).....		\$250
	<input type="checkbox"/>	24"(540)	
	<input type="checkbox"/>	25"(559) (Requires 15" minimum Seat Depth ⓑ.)	
	<input type="checkbox"/>	26"(590) (Requires 15" minimum Seat Depth ⓑ.)	
Z2RW7	Spinergy SPOX <input type="checkbox"/> Black <input type="checkbox"/> Red <input type="checkbox"/> Yellow <input type="checkbox"/> Blue <input type="checkbox"/> White		\$695
	<input type="checkbox"/>	22"(501) - Std. Hub	
	<input type="checkbox"/>	24"(540) - Std. Hub	
	<input type="checkbox"/>	25"(559) - Std. Hub (Requires 15" minimum Seat Depth ⓑ.)	
	<input type="checkbox"/>	26"(590) - Sport Hub (Requires 15" minimum Seat Depth ⓑ. Not available with Titanium Quick Release or Quad Release Axles.)	
Z2RW8	Spinergy LX <input type="checkbox"/> Black <input type="checkbox"/> Red <input type="checkbox"/> Yellow <input type="checkbox"/> Blue <input type="checkbox"/> White <input type="checkbox"/> Go Green <input type="checkbox"/> Bright Orange		
	<input type="checkbox"/>	Flamingo Pink (Please allow an additional 2-3 weeks delivery on Go Green, Bright Orange and Flamingo Pink.)	\$895
	<input type="checkbox"/>	22"(501) - Std. Hub	
	<input type="checkbox"/>	24"(540) - Std. Hub	
	<input type="checkbox"/>	25"(559) - Std. Hub (Requires 15" minimum Seat Depth ⓑ.)	
	<input type="checkbox"/>	26"(590) - Sport Hub (Requires 15" minimum Seat Depth ⓑ. Not available with Titanium Quick Release or Quad Release Axles.)	
Z2RW11	Skyway Mags <input type="checkbox"/> 22" <input type="checkbox"/> 24" (Not available with Short Tabs, Titanium Quick Release Axles, Quad Release Axles or Spoke Guards or Heavy Duty Edition.)		\$50
Z2RW0	<input type="checkbox"/>	Omit Rear Wheels (Must choose Wheel Size and Tire Type below.).....	-\$50

AXLES

Z2AXL1	<input type="checkbox"/>	Stainless Quick Release.....	STD
Z2AXL2	<input type="checkbox"/>	Titanium Quick Release (Not available with TiLite High Flange Hub, Spinergy WIRE, Skyway Mags, 26"(590) Spinergy SPOX or LX Rear Wheels or Power Adaptable Frame.).....	\$195
Z2AXL3	<input type="checkbox"/>	Quad Release (Not available with Skyway Mags or 26"(590) Spinergy Spox or LX Rear Wheels.).....	\$95

PNEUMATIC REAR TIRES

Z2RTR1	<input type="checkbox"/>	Treaded (Not available with 25"(559) Rear Wheels.)	STD
	<input type="checkbox"/>	Z2RTR2 Airless Inserts	\$80 E2213
Z2RTR3	<input type="checkbox"/>	25" Primo Treaded (Standard with 25"(559) Rear Wheels.).....	STD
Z2RTR4	<input type="checkbox"/>	Primo	NCO
Z2RTR5	<input type="checkbox"/>	24", 25" and 26" Kenda® High Pressure (110psi) <input type="checkbox"/> Grey <input type="checkbox"/> Red <input type="checkbox"/> Blue.....	\$85
Z2RTR6	<input type="checkbox"/>	24" Grey Knobby (Requires TiLite Wheel with High Flange Hub.).....	\$95
Z2RTR7	<input type="checkbox"/>	26" Black Knobby (Requires TiLite Wheel with High Flange Hub or Spinergy SPOX or Spinergy LX Rear Wheels.).....	\$95
Z2RTR8	<input type="checkbox"/>	24", 25" and 26" Schwalbe® Marathon Plus Evolution.....	\$110
Z2RTR9	<input type="checkbox"/>	24" and 25" Schwalbe® SpeedRun.....	\$125

SOLID REAR TIRES

Z2RTR10	<input type="checkbox"/>	20" (451) Street Tread.....	\$65
Z2RTR11	<input type="checkbox"/>	22" (501) Pyramid.....	\$75
Z2RTR13	<input type="checkbox"/>	24"(540) and 25"(559) Herringbone Tread.....	\$90
Z2RTR15	<input type="checkbox"/>	24"(540) and 25"(559) Treaded.....	\$90

TiLite ZRA Series 2 Order Form

CHAIR OPTIONS

HANDRIMS

Handrim Type (If the Rugged Edition is selected on Page 2, please select two sets of handrims and indicate SPOX or HF next to each of your selections to indicate that they should be attached to either the Spinergy SPOX or TiLite High Flange Rear Wheels.)

- Z2RIM1 Aluminum – Silver Anodized..... **STD**
- Z2RIM2 Titanium (Not available with Skyway Mags, 20" or 22" Rear Wheels, or 24" Knobby tires.)
 - Satin Finish..... **\$400**
 - Polished Finish..... **\$550**
- Z2RIM3 The Natural-Fit® (Original, Larger Profile) (Not available with Skyway Mags.)
 - Standard Grip (Not available with Short Tabs.)..... **\$295**
 - Super Grip (Not available with Short Tabs.)..... **\$340**
 - Without Thumb Grip..... **\$270**
- Z2RIM4 The Natural-Fit® LT (Reduced Weight, Smaller Profile) (Not available with Skyway Mags.)
 - Standard Grip (Not available with Short Tabs.)..... **\$325**
 - Super Grip (Not available with Short Tabs.)..... **\$370**
 - Without Thumb Grip..... **\$300**
- Z2RIM9 Spinergy FlexRim (Available only on 24" and 25" Spinergy LX Rear Wheels. Please allow an additional 2-3 weeks delivery.)... **\$495**
- Z2RIM5 Plastic Coated – Black..... **\$95**
- Z2RIM6 Projections - 8 Vertical Projections (Not available with 20", 22" or 26" Rear Wheels or Skyway Mags.)..... **\$240**
- Z2RIM0 Omit Handrims..... **-\$15**

Tab Length

- Z2RIM7 Long Tabs..... **STD**
- Z2RIM8 Short Tabs (Not available with Skyway Mags or The Natural-Fit® Handrims with Thumb Grip.)..... **\$15**

WHEEL LOCKS

- Z2WLK1 Standard Push to Lock (Available with .75" to 1.5" Rear Wheel Spacing ❶ only. Not available with 13" or shorter Seat Depth ❷.) **NCO**
- Z2WLK6 Extension Handles for Standard Push to Lock..... **\$75 E0961**
- Z2WLK2 Composite Scissor Lock..... **\$110**
- Z2WLK5 Black Aluminum Scissor Lock..... **\$135**
- Z2WLK3 Uni-Lock Set At: Push Pull..... **\$135**
- Z2WLK4 Extension Handles for Uni-Lock..... **\$50 E0961**

UPHOLSTERY COLORS

- Z2UPC1 Black..... **STD**
- Z2UPC2 Ultrasuede Backrest Stripe (See photo on page 1.) Black Sapphire Red Pepper Burnt Orange
 - Sub-Lime Ultraviolet Espresso..... **\$70**

BACK UPHOLSTERY

- Z2BUP2 Velcro Adjustable (Not available with Fold-Down Push Handles or Heavy Duty Edition.)..... **STD**
- Z2BUP3 Tension Adjustable by Straps (Required with Heavy Duty Edition and Fold-Down Push Handles.)..... **\$150**
- Z2BUP0 Omit Back Upholstery..... **NCO**
- Z2BUP4 Ride Designs® Corbac™ Adjustable Contour Back Support (Black Only. Not available with Fold-Down Push Handles. See Chart on Page 8.) **\$455 E2611**

CORBAC™ SEAT WIDTH/BACK HEIGHT AVAILABILITY CHART

Rear Seat Width ❶	Seat Back Height ❷
14"	13" - 15"
15"	13" - 16"
16"	14" - 16"
17"	14" - 16"
18"	14" - 16"

SEAT UPHOLSTERY

- Z2SUP1 Tension Adjustable Bolt On (Not available with Tapered Seat ❶. Black upholstery only.)..... **STD**
- Z2SUP2 Tension Adjustable by Straps (Standard Front Seat Width (Seat Taper) ❶ of 1.5" and 2.5". Black upholstery only. Not available with Depth Adjustable Back.)..... **\$150**
- Z2SUP3 G10 Solid Seat (Not available with 10" or 11" Rear Seat Width ❶.)..... **\$225 E2618**
- Z2SUP0 Omit Seat Upholstery..... **NCO**

TiLite ZRA Series 2 Order Form

Effective July 1, 2011 (New Items in Red)

TITANIUM RIGID FRAME

Page 9 of 10

CHAIR OPTIONS

SEAT CUSHIONS

Z2CSH1	<input type="checkbox"/> Foam Cushion	<input type="checkbox"/> 2" <input type="checkbox"/> 3" <input type="checkbox"/> 4".....	\$95	
Z2CSH2	<input type="checkbox"/> StimuLITE® Sport (2" Black 13"x15" to 20"x 20")	(Please allow an additional 2-3 weeks delivery. Black upholstery only.).....	\$495	E2603
Z2CSH3	<input type="checkbox"/> Corbee® (2" Black 10"x 10" to 16"x 16")	(Please allow an additional 2-3 weeks delivery. Black upholstery only.).....	\$495	E2603
Z2CSH4	<input type="checkbox"/> ROHO® Low Profile® Quadro Select®	(Please allow an additional 2-3 weeks delivery. Black upholstery only.).....	\$525	K0736
Z2CSH5	<input type="checkbox"/> ROHO® Custom	(Please allow an additional 2-3 weeks delivery. Black upholstery only.).....	\$625	K0734
Z2CSH6	<input type="checkbox"/> VARILITE® Evolution™	(Black only, see chart below.).....	\$495	K0734
Z2CSH7	<input type="checkbox"/> VARILITE® Zoid™	(Black only, see chart below.).....	\$495	K0734

VARILITE® SEAT CUSHION AVAILABILITY CHART

Seat Width ⓐ	Seat Depth ⓑ	
	VARILITE® Evolution™	VARILITE® Zoid™
12"	14"	8", 12", 14"
13"	NONE	NONE
14"	14", 16", 18", 20"	14", 16", 18"
15"	15", 17"	15", 17"
16"	14", 16", 18", 20"	16", 18", 20"
17"	17"	17"
18"	16", 18", 20"	16", 18", 20"
19"	NONE	NONE
20"	16", 18", 20"	16", 18", 20"

SIDE GUARDS

Z2SDG1 Cloth (Not available with Ride Designs® Corbac™ back support.)..... **\$45**

Aluminum

Z2SDG2	<input type="checkbox"/> Rigid Removable	<input type="checkbox"/> Small <input type="checkbox"/> Std.....	\$175
Z2SDG3	<input type="checkbox"/> Quad Removable w/Hole	<input type="checkbox"/> Small <input type="checkbox"/> Std.....	\$185
Z2SDG4	<input type="checkbox"/> Fold Down Rigid	<input type="checkbox"/> Small <input type="checkbox"/> Std.....	\$295
Z2SDG6	<input type="checkbox"/> Fendered Adjustable	(Available with 24" and 25" Rear Wheels. Requires Rear Seat Height ⓐ of 14.5" to 18.5".).....	\$295

Carbon Fiber (Not available with Depth Adjustable Back/Frame.)

Z2SDG7	<input type="checkbox"/> Rigid Removable	<input type="checkbox"/> Small <input type="checkbox"/> Std.....	\$270
Z2SDG8	<input type="checkbox"/> Quad Removable w/Hole	<input type="checkbox"/> Small <input type="checkbox"/> Std.....	\$280
Z2SDG9	<input type="checkbox"/> Fold Down Rigid	<input type="checkbox"/> Small <input type="checkbox"/> Std.....	\$400
Z2SDG12	<input type="checkbox"/> Fendered Removable.....		\$395

Available on Aluminum and Carbon Fiber Non-Fendered Side Guards

ZSDG13 Side Guards Custom Cut to Profile of Rear Wheels (Not available with Cloth.)..... **\$275**

ARMRESTS

Z2ARM1 Swing Away Tubular (Not available with Depth Adjustable Back/Frame or Heavy Duty Edition.) 9" to 12" 11" to 14".... **\$195** **E0973**

Z2ARM4 Swing Away - Flip Back Tubular (Not available w/ Heavy Duty Edition.)..... **\$275** **E0973**

Z2ARM2 Removable Height Adjustable Desk Arm with Rigid Side Guard (Not available with Depth Adjustable Back/Frame.)

Requires 14" minimum Seat Depth ⓑ.)..... **\$350** **E0973**

9" to 12" 12" to 15"

Standard Length Pad (10") Full Length Pad (14")

Z2ARM3 Removable Height Adjustable Desk Arm with Rigid Side Guard and Transfer Loop **\$395** **E0973**

(Not available with Depth Adjustable Back/Frame. Requires 15" minimum Seat Depth ⓑ.)

9" to 12" 12" to 15"

Standard Length Pad (10") Full Length Pad (14")

Available on all Armrests

Covered in Black Ultrasuede..... **\$75**

SEAT BELTS

Z2BLT1 Velcro Adjustable, Black Nylon Webbing..... **\$45** **E0978**

Z2BLT2 Bodypoint® Auto-Style Release Buckle..... **\$85** **E0978**

CALF STRAP

Z2CLF1 Buckle Adjustable, Black Nylon Webbing..... **\$25** **K0038**

Z2CLF2 Velcro Adjustable **\$35** **K0038**

Xtra Small (Recommended for 10" - 13" Seat Widths)

Small (Recommended for 12" - 15" Seat Widths)

Medium (Recommended for 14" - 18" Seat Widths)

Large (Recommended for 17" - 19" Seat Widths)

Xtra Large (Recommended for 18" - 20" Seat Widths)

Z2CLF3 Bodypoint Padded Velcro Adjustable **\$75** **K0038**

Small (Recommended for 10" - 11" Seat Widths)

Medium (Recommended for 12" - 15" Seat Widths)

Large (Recommended for 16" - 20" Seat Widths)

TiLite ZRA Series 2 Order Form

Effective July 1, 2011 (New Items in Red)

TITANIUM RIGID FRAME

Page 10 of 10

CHAIR OPTIONS

BACK PACK

- Z2BCK1 Small - Black Nylon\$50
- Z2BCK2 Large - Black Nylon.....\$65

SEAT POUCH

- Z2PCH1 Small - Black Nylon.....\$40
- Z2PCH2 Large - Black Nylon.....\$45

SPOKE GUARDS

- Z2GRD1 Clear with TiMotion Logo (Not available with Skyway Mags or 20" Rear Wheels.)\$110 K0065

ANTI-TIPS

- Z2TIP1 Black Aluminum.....\$135 E0971
- Z2TIP2 User Friendly Flip-up.....\$245 E0971

ACCESSORIES

- Z2LUG1 Luggage Carriers.....\$125
- Z2MPCT1 Black Neoprene Impact Guards.....\$75
- Z2MPCT2 Ultrasuede Stripe on Neoprene Impact Guards Sapphire Red Pepper Burnt Orange
 Sub-Lime Ultraviolet Espresso.....\$95
- Z2CAT1 Catch-All.....\$45
- Z2CH1 Crutch Holder.....\$65 E2207
- Z2TS1 TiLite T-Shirt Small Medium Large X-Large XX-Large.....\$20
- Z2TIP5 Front Roller (Requires that Seat to Footrest Measurement be at least 3" shorter than Front Seat Height.).....\$95
- Z2HS1 TiLite 9 Piece SAE Round Handle Folding Hex Key Set.....\$20
- Z2AFP1 4" Logo Patch Army Navy Air Force Marines\$50
- Z2AFP2 Name Tape Patch Army Navy Air Force Marines\$50
- Z2AFP3 Combat Wounded Purple Heart Patch.....\$50

DESIGNS UNLIMITED



TiLite's ZRA Series 2 offers more than 15 million different frame combinations! But sometimes even that's not enough. If you would like to customize your TiLite, check out the Designs Unlimited Studio at tilite.com. There you will find drawings and pricing for hundreds of creative solutions to customers' customization requests. We call these "D.U.'s." If you don't find the D.U. you're looking for, contact the TiLite Customer Service Team at 800.545.2266 or customerservice@tilite.com and we'll design a D.U. just for you. Designs Unlimited customization may add an additional 2 to 3 weeks to the ship time of your chair.

TILITE ORDERING PROCESS

Upon submitting this Order Form, you will receive either a TiLite QUOTE or a TiLite ORDER CONFIRMATION. Please CAREFULLY EXAMINE the QUOTE or ORDER CONFIRMATION for NOTES written by TiLite's Customer Service Team. These notes must be addressed by you before TiLite can process your order. The FOOTNOTES contained in this Order Form are CRITICAL. Please REVIEW all FOOTNOTES while completing the Order Form. If you have requested a DRAWING of this chair, a copy of the drawing SIGNED by YOU must be received by TiLite before TiLite can process the order.

GENERAL

TiLite manufactures a wide variety of wheelchairs to meet the varied needs of wheelchair users. The final selection of a particular model, its options and accessories, and its measurements rests solely with the wheelchair user and advising healthcare professional. TiLite wheelchairs must be fitted by a qualified healthcare professional. HCPCS Codes are for reference purposes only. Actual coding and coverage varies by payer. Proper HCPCS coding is not a guarantee of payment. Please verify the appropriate payer's coverage policy.

Get the latest order forms at tilite.com Prices, standard features, options and accessories are subject to change without notice. All rights reserved. Trademarks are identified by symbols™ and ©. TiLite, the TiLite logo, Ti, the Ti logo, The Titanium Experts, TiShaft and The Ultimate Ride are registered trademarks of TiSport, LLC. Adobe®, Acrobat®, Acrobat Professional® and Reader® are registered trademarks of Adobe Systems Inc. Bodypoint® is a registered trademark of Bodypoint Inc. Frog Legs® is a registered trademark of Frog Legs, Inc. Kenda® is a registered trademark of Kenda Rubber Industrial Co Ltd. Ride Designs® and Corbac® are registered trademarks of Aspen Seating, LLC. ROHO®, Low Profile® and Quadro Select® are registered trademarks of ROHO Inc. Schwalbe® is a registered trademark of Ralf Bohle GmbH. Supracor®, Stimulite® and Corbee® are registered trademarks of Supracor, Inc. The Natural-Fit® is a registered trademark of Three Rivers Holdings, LLC. Inc. Varilite® is a registered trademark of Cascade Designs, Inc.

NOTES

If you are using Adobe® Acrobat®, this order form may be converted into a quote request or into an order by clicking one of the buttons below (this feature is available exclusively to TiLite dealers and distributors). A TiLite Quote or a TiLite Order Confirmation will be sent to you within 24 hours.

QUOTE THIS CHAIR

ORDER THIS CHAIR